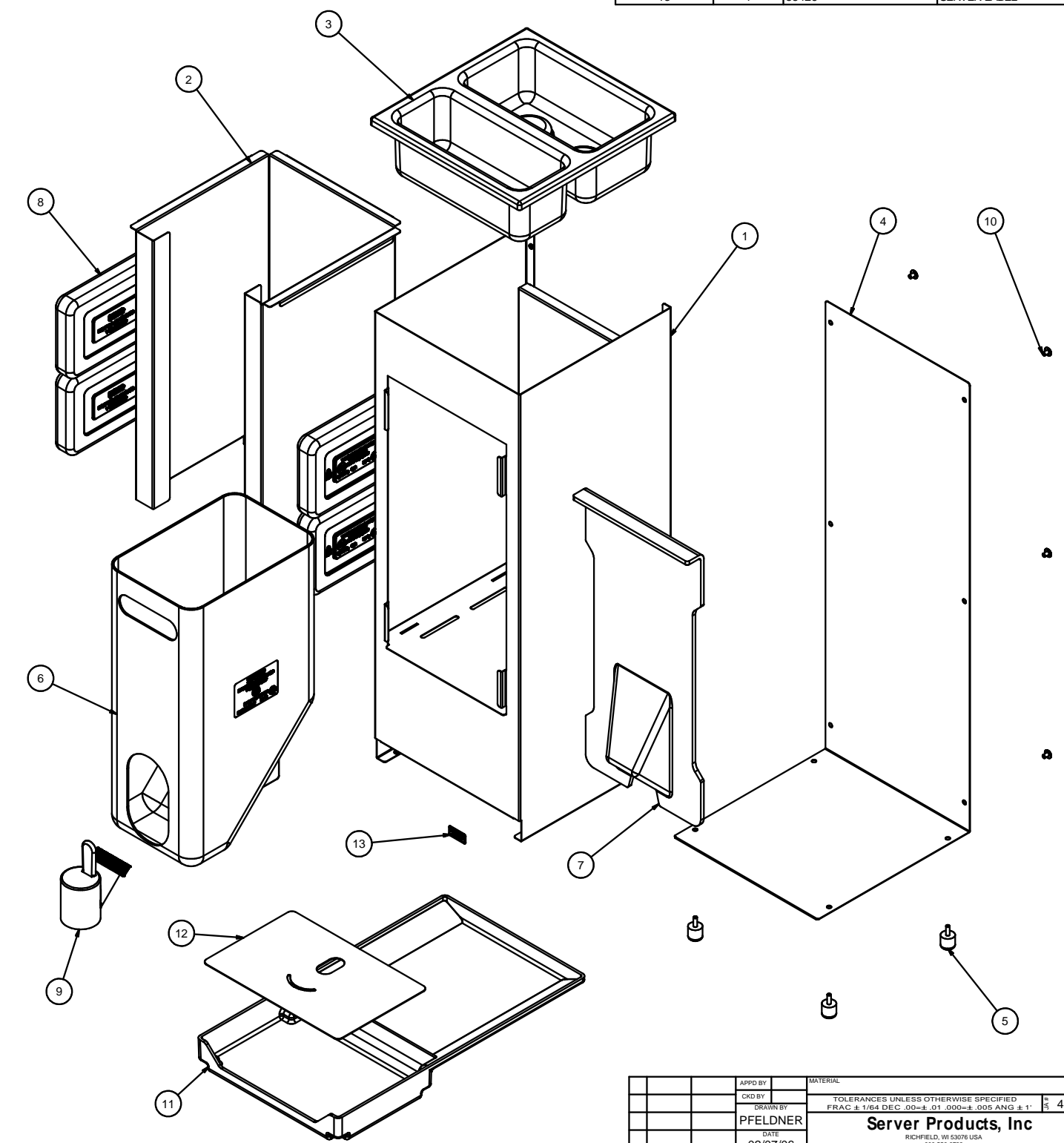
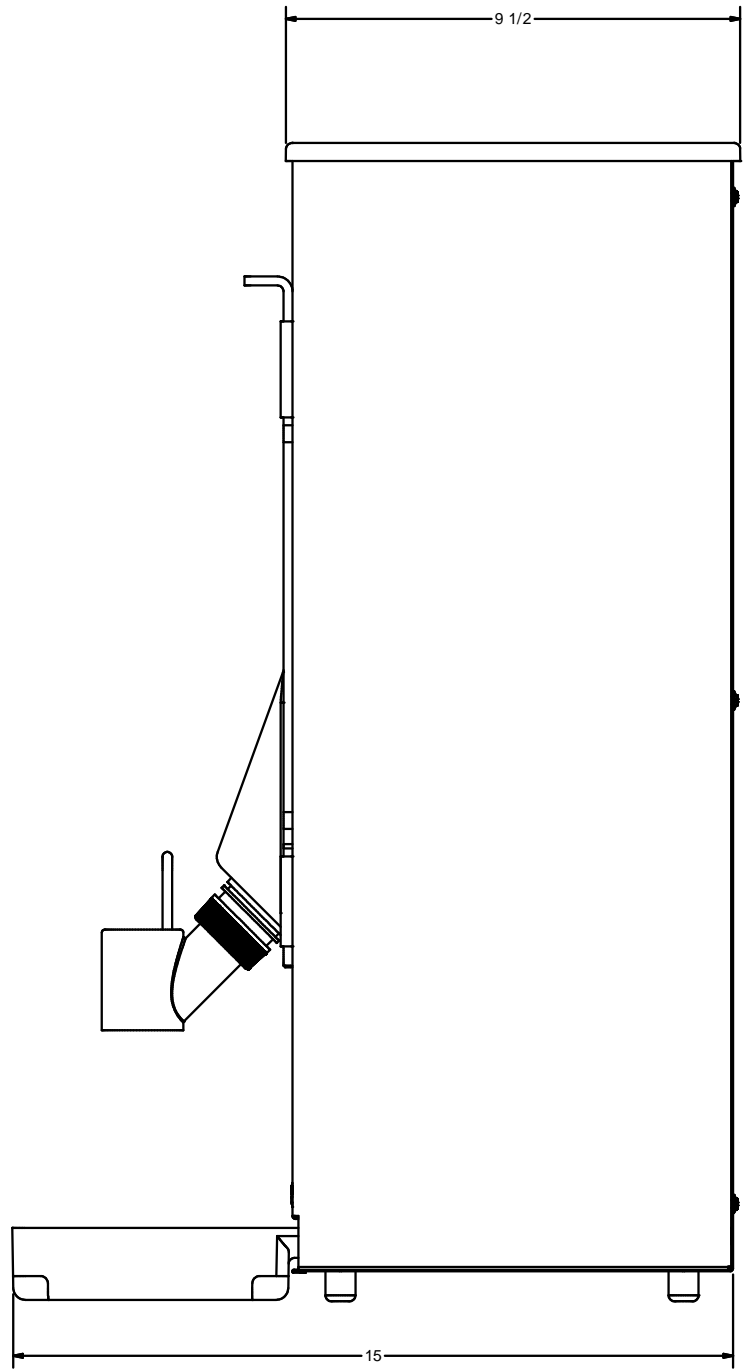
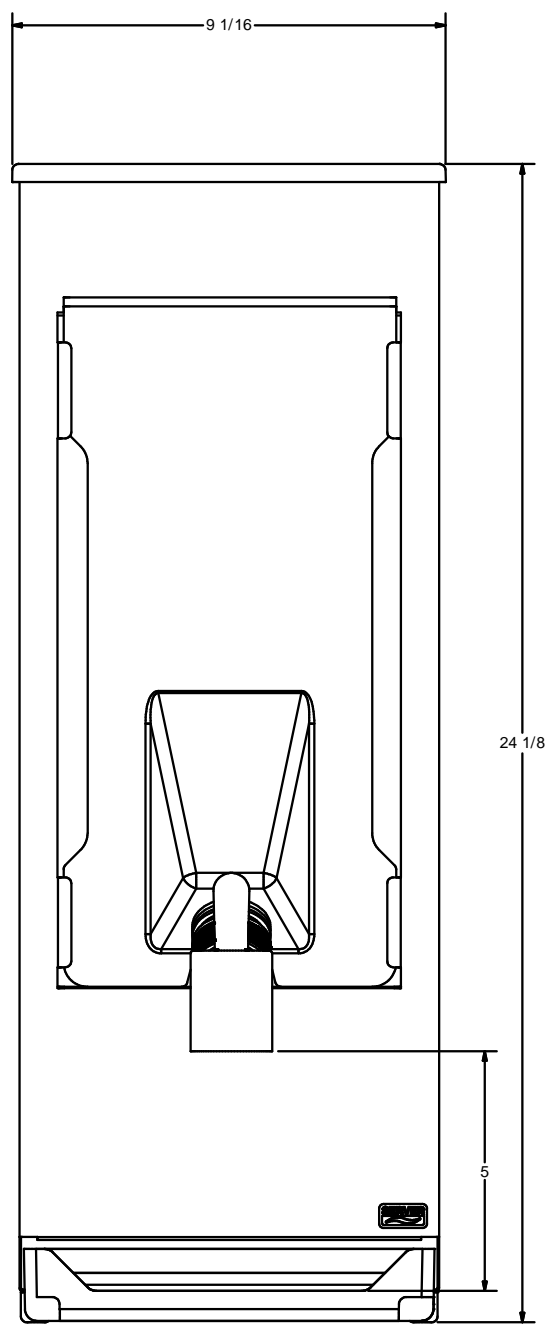


Parts List			
ITEM	QTY	PART NUMBER	DESCRIPTION
1	1	J4034002	SHROUD ASSEMBLY
2	1	J4034013	INSULATION WRAP
3	1	J4030016	LID
4	1	J4034014	REAR & BOTTOM PANEL
5	4	81058	FOOT, RUBBER
6	1	J3081011	SLEEVE
7	1	J3081023	FRONT COVER
8	4	94141	ICE PACK
9	1	J3081006	VALVE
10	6	Thp83225	8-32 X 1/4" PHMS
11	1	J4034018	TRAY, DRIP
12	1	J4034019	COVER, DRIP TRAY
13	1	85426	SERVER LABEL



APPRO BY		MATERIAL	
CKD BY		TOLERANCES UNLESS OTHERWISE SPECIFIED	4034
DRAWN BY	PFELDNER	FRAC ± 1/64 DEC .00±.01 .000±.005 ANG ± 1°	
DATE	02/07/06	Server Products, Inc	
SCALE	1:2	RICHFIELD, WI 53076 USA	
		800-558-8722	
SYM	DATE	ENG CHG#	PART NAME: CSC-N CHILLED SERVING CENTER NARROW
			SIZE DWG NO. 5 4034
			D J4034001